

**Portable RADIANT BAR**



# Radiant Bar

## BR3000



Lt 3001 1



## Applications

Placed on the rolling tables of a mill, the Radiant Bar **BR3000** enables the mill operator to precisely align the mill sensors and to determine the boundaries of the field of view of the sensors.

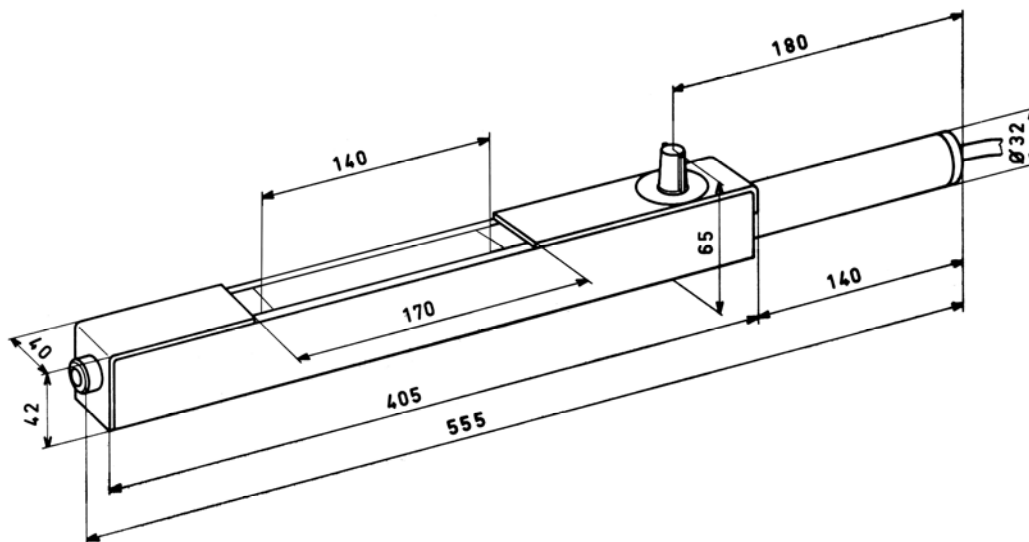
## Introduction

The Radiant Bar **BR3000** is a portable infrared source with variable intensity that can be used to simulate the presence of hot products.

## Technical characteristics

- Operating voltage : 115 or 230 V AC
- Operating frequency : 50 or 60 Hz
- Current consumption : 500 VA max.
- Intensity of infrared : variable by potentiometer
- 4 m cable and standard plug
- Weight : 2 kg (4.4 lbs).

## Dimensions



### DELTA

Tel: +33 388 78 21 01 - Fax : +33 388 76 02 29  
 info@deltasensor.eu - www.deltasensor.eu

### DELTA Sensor (China)

Tel: +86 519-85068855 - Fax: +86 519-85068865 - info@deltasensor.com.cn

### DELTA Vertriebsgesellschaft mbH (Germany)

Tel: +49 700 3358 2736 - Fax: +49 700 3358 2835 - info.de@deltasensor.eu

### DELTA Sensor (India)

Tel: +91 11 4054 8170 - Fax: +91 11 4054 8172 - info@deltasensor.co.in

### DELTA USA, Inc. (North America)

Tel: +1 (412) 429 3574 - Fax: +1 (412) 429 3348 - info@delta-usa.com

### DELTA Sensor (Russia)

Tel: + 7 495 792 3037 - Fax: +7 495 792 3039 - info.ru@deltasensor.eu

### DELTA USA INC. (North America)

CARNEGIE OFFICE PARC - BUILDING 2, SUITE 180  
 600 NORTH BELL AVENUE, CARNEGIE, PA 15160

Tel: (412) 429 3574 Fax: (412) 429 3348  
 info@delta-usa.com www.delta-usa.com

Subject to change without prior notice

Lt 3001 **2**