

# DigiScan

## XD4000



**High accuracy - fast sampling time**

**Compact - easy installation**

**Design for extremely harsh environment**

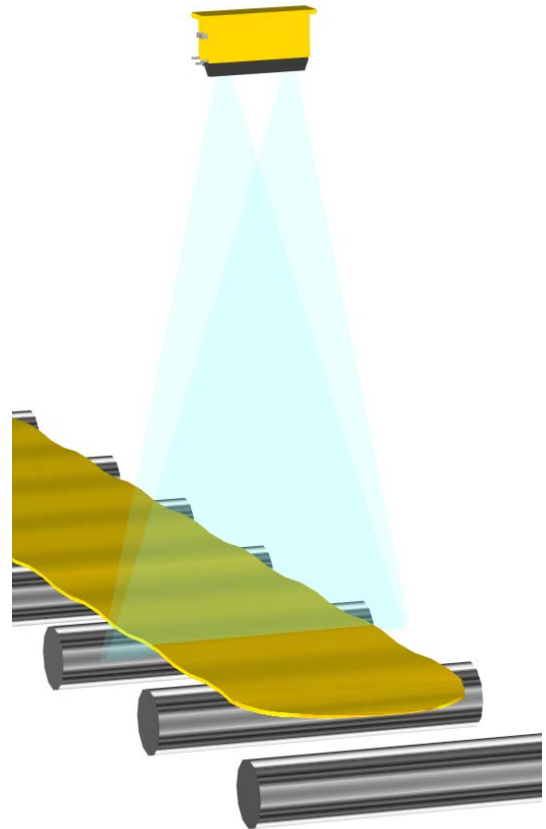
**Ethernet - Client server architecture**



The Stereoscopic Width Gauge DigiScan XD4000, designed for installation above the mill roll tables in hot strip and plate mills, is state-of-the-art technology for measuring the width of strip / plate products. For use at the roughing mill or finishing mill exit, the self-emitted optical radiation of the hot strip provides sufficient contrast for width determination. An optional backlight mode is available for installation at the entry to the coilers or when the rolling temperatures are below 1112 °F.

### Main features

- Two digital CCD cameras with 4096 pixels each and high-quality multi-lens optics, mounted on a precision optical bed in stereoscopic vision;
- Advanced edge detection software and data capture processor to perform edge sensing in real-time at 2000 Hertz;
- 40MHz High Speed digital camera;
- High speed CPU executing digital filtering algorithms to determine edges location with sub-pixel accuracy and to calculate product width;
- Simplicity of installation and maintenance;
- Very quick change of sensor head;
- Compact water cooled sealed die-cast aluminium housing;
- Modular architecture allowing easy extension and implementation of effective solutions with end users;
- Client Server architecture with multiple displays on a network;
- Remote dial up Access Service through network for trouble shooting;
- Laser line pointer for easy commissioning;
- Self emitted or back light mode;
- Optional features include – Thermal profile for self emitted Gauges.

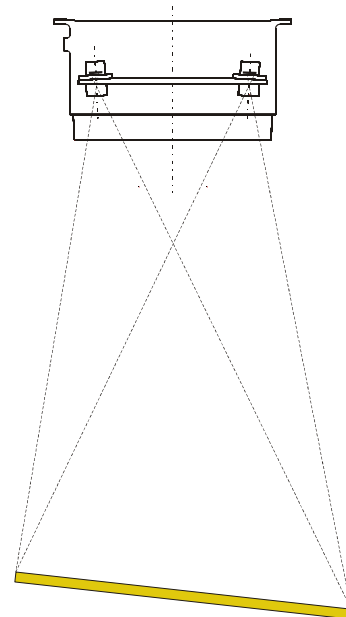


### Operating principle

The core of the DigiScan XD4000 consists of proprietary software operating on a high performance frame grabber and two 4096 pixel CCD (Charge Coupled Device) high performance digital cameras.

DELTA Stereoscopic Width Gauge employs an advanced digital edge detection process that captures the digitized camera data. Software routines running on the high speed embedded processor perform sub-pixel edge determination in two dimensional space.

The camera data are filtered using a high-speed Infinite Impulse Response (IIR) digital filter. Sub-pixel edge locations are then determined based on the second derivative of the pixel data. With two sub-pixel edges from each camera, the true width of the material is calculated using geometric triangulation. These trigonometric functions allow very accurate width measurement in spite of the influences of material pass line variations, thickness variations and flutter.

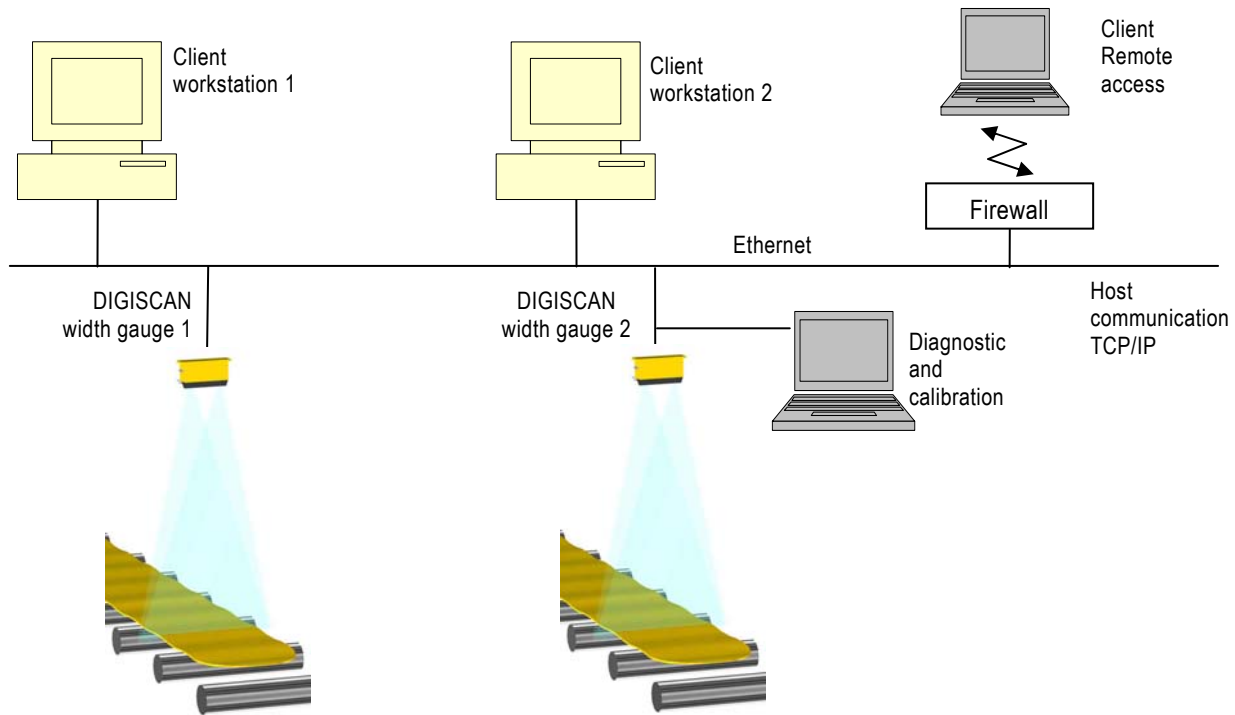


X1, Y1

X2, Y2



**System description**



The DigiScan Width Gauge sensor captures all the edge data and computes width and centreline. This information along with other I/O and alarm data is passed on to a number of computers through an Ethernet communication channel. A Windows based workstation computer acquires the width measurements and centre line deviations from the DigiScan sensor, using TCP/IP high speed link.

The Gauge Processor supports multiple workstation clients on a network. DELTA client software is supported by all industry standard Windows operating systems (Windows XP). The workstations provide a colour graphic display suitable for use by the maintenance engineers and also drive other remote displays in the operator's pulpit. The display shows the coil number and statistical product width data, as well as a graph of product width deviation and centreline deviation versus time. This Gauge also offers remote dial up access for troubleshooting of the Gauge.

The DigiScan Width Gauge includes configurable analogue outputs for deviation from the reference width, centreline deviation, or actual edge locations. Digital outputs provide Gauge status information.

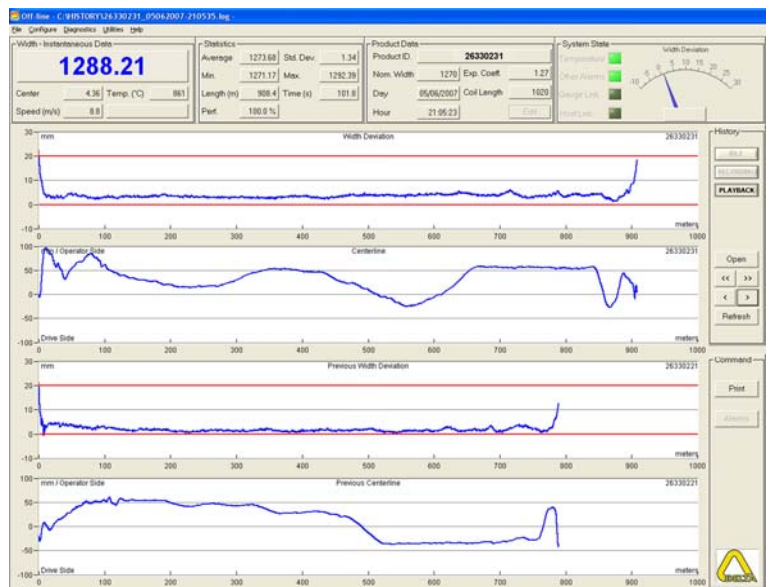
**Client Workstation – Operators interface**

The client workstations consist of a computer with Windows XP, running software with a Windows graphical user interface (GUI).

The client workstation interfaces to the Gauge on a network. In addition to the primary graphics displays depicting product width data, the workstation can also display information that aids in performing Gauge diagnostic and maintenance functions.

The workstation main screen features a real-time display of product statistical information and a graph of width and centreline deviation versus the full strip time for the mill operator.

Optionally, the workstation display can be customized to suit the needs of the mill.





Since this Gauge is truly a networked Gauge there may be many different client workstations such as a manager's office etc. customized to each user. The core information is available on the network and maybe displayed in different formats at different workstations at the same time. Standard displayed information includes:

- Coil identification number
- Reference width
- Average strip width
- Minimum strip width
- Maximum strip width
- +/- Deviation from the reference width
- Date and time
- A graphic display of strip width and centreline deviation versus time or length

All measurement data can be recorded on the hard drive of the workstations and replayed at a later time for analysis.

The standard DigiScan software includes the ability to make a hard copy of the main graphics screen display at the touch of a button.

Other modes of operation support analysis of the actual strip position in space and edge locations, configuration of the Gauge, cameras, and workstation, standardization of the Gauge, and graphical analysis of raw camera line scan data. Various software tools are provided to aid in Gauge set up and maintenance.



### Temperature profile (Optional feature)

The thermal profile display is very useful to mill operators in diagnosing problems with camber as usually it results from one of three sources. Off level rolling in the roughing mill will create a cambered transfer bar. Alternately, if the furnace door is not sealing properly, it will cause one edge of the slab to be colder than the other edge. This will definitely cause the bar to camber and will lead to problems in rolling. As the operator tries to correct against the camber he will create a wedge shaped profile which causes further quality problems in subsequent operations and cold rolling mills. A third source of problems come from non-uniform descale spray water in various stands of the mill. Any problems with broken or plugged spray nozzles will create uneven temperature across the width of the strip.

This thermal profile option is a very useful tool in helping to isolate the source of camber, hook and also skid marks from reheating furnaces.

This Thermal profile displays the overview of temperature distribution of the strip for better control of the rolling process. The temperature at the centre of the bar is determined by a pyrometer; the temperatures at locations away from the centre are determined by comparing the emission intensity at the point with the emission intensity at the centre.

### Host communication

The DigiScan Width Gauge supports TCP / IP over Ethernet to the host computer with industry standard Microsoft Windows network protocols. Modbus TCP/IP is the standard protocol for level 2 connection. Optionally, DELTA could also custom design a host interface.

The host computer transmits coil identification number and target width associated with the strip to be measured, and may transmit the aim temperature, temperature conversion curve number or factor and estimated strip length (if required). The width Gauge will respond with an acknowledge and, once the strip has been completely measured, the Gauge can respond to a host request for width statistics, including the measured average, minimum, maximum, and standard deviation of width. In addition, the Gauge will transmit the current system status and alarm conditions when requested by the host or at pre-programmed times identified by the user.



**Calibration**

Two-dimensional calibration is performed prior to delivery on a precisely positioned calibration fixture at several discrete reference heights. Calibration is accomplished by collecting camera pixel data at these reference heights and then generating coefficients that map the pixel locations to spatial locations at any height within the calibrated range.

A successful calibration will therefore:

Normalize for any lens distortion effects.

Establish the system triangulation compensation to any pass line and material thickness variations.

DigiScan XD4000 Width Gauge is supplied with a verification - standardization fixture.

The verification software captures 1000 samples of width data – in a Verify mode and shows the statistics of all readings. When such a test is completed the results are saved to a file and printed.

Standardization is used to compensate for small misalignments in the camera enclosure in the as-installed configuration during initial Gauge installation and, later, to compensate for potential shifts in the alignment of the camera enclosure supporting structure. The standardization fixture mounts on the roll table and is aligned within the view of the Gauge cameras, using the optical bed alignment laser.

**DigiScan XD4000 sensor**



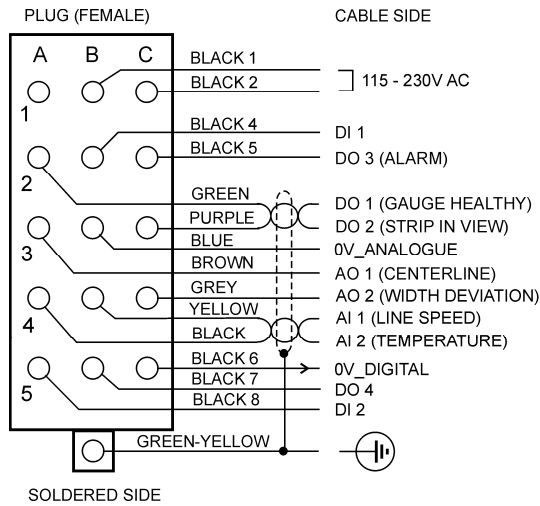
Model	XD401 •	XD402 •	XD403 •
Option	-	Thermal profile	-
Type	Direct emission of the product		Backlight
Strip temperature	600 °C to 1250 °C (1110 °F to 2280 °F)		-
Measurement accuracy (2σ)	+/- 0.5 mm for a field of measurement of 2 m		
Vertical bounce	Typically 400 mm for a field of measurement of 2 m		
Mounting height	Typically 4.5 m for 2 m wide strip		
Camera	2 digital linear cameras 4096 pixels, 12 bits / 4096 grey level, 40 Mhz		
Width update rate	Up to 2000 per second		

Network protocol	Ethernet TCP/IP Modbus TCP/IP protocol Serial line (option) Profibus-DP slave (option)
Analogue output:	2 analogue outputs: Configurable by software 4-20 mA (500 Ω max) – Linearity 0.1% - Temperature drift : 50 ppm/°C
Analogue input:	2 analogue inputs: Configurable by software 4-20 mA – Linearity 0.1% - Temperature drift: 50 ppm/°C
Digital outputs	4 digital outputs: Configurable by software 0-24 VDC 50 mA
Digital inputs	2 digital inputs: Configurable by software 24 VDC - 8 mA
I/O Extension	Remote Ethernet Digital and Analogue I/O
Operating indicator	2 colours LED
Line laser for alignment	FDA21CFR 1040: Class IIIA - EN 60825-1: Class 3A
Operating voltage	110 to 230 V (±10%) - 50/60 Hz
Power consumption	300 VA
Cabling	Delivered with junction box
Weight	About 44 kg
Protection rating	IP 66 (cast aluminium housing)
Working temperature	32 to 122 °F without water cooling. Up to 250 °F with industrial quality water 10 l/mn for max water temperature of 77 ° F, or 20 l/mn for 95 °F
Air purging	Protection of the optic with dry and clean instrument air



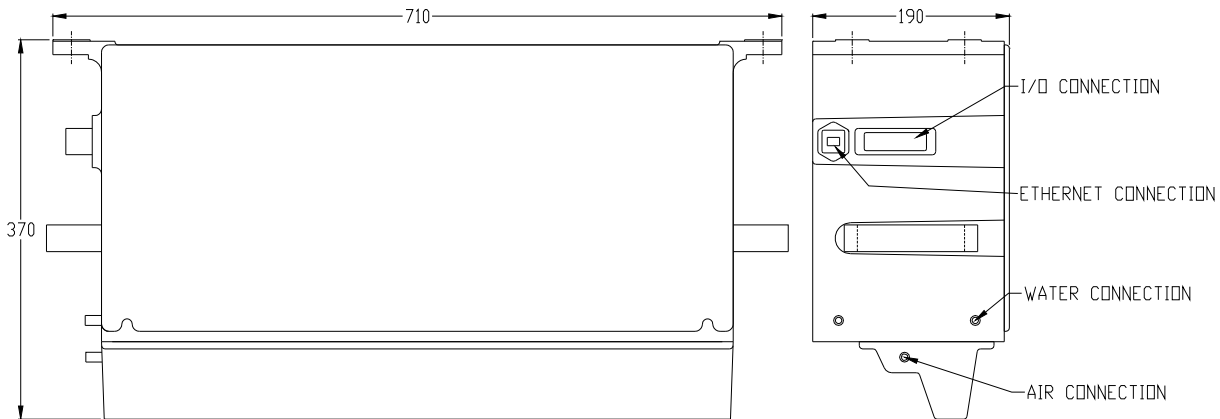


**Connection**



Power supply and I/O connector

**Dimensions**



**Accessories**

- Calibration fixture,
- Junction box.
- Thermal shield,
- Backlights,

**DELTA**

Tel: +33 388 78 21 01 - Fax : +33 388 76 02 29  
 info@deltasensor.eu - www.deltasensor.eu

**DELTA Sensor (China)**

Tel: +86 519-85068855 - Fax: +86 519-85068865 - info.cn@deltasensor.com

**DELTA Vertriebsgesellschaft mbH (Germany)**

Tel: +49 700 3358 2736 - Fax: +49 700 3358 2835 - info.de@deltasensor.eu

**DELTA Sensor (India)**

Tel: +91 11 4054 8170 - Fax: +91 11 4054 8172 - info.in@deltasensor.com

**DELTA USA, Inc. (North America)**

Tel: +1 (412) 429 3574 - Fax: +1 (412) 429 3348 - info@delta-usa.com

**DELTA Sensor (Russia)**

Tel: +7 495 792 3037 - Fax: +7 495 792 3039 - deltasensor@sovintel.ru

**DELTA USA INC. (North America)**

CARNEGIE OFFICE PARC - BUILDING 2, SUITE 180  
 600 NORTH BELL AVENUE, CARNEGIE, PA 15160

Tel: (412) 429 3574 Fax: (412) 429 3348  
 info@delta-usa.com www.delta-usa.com

Subject to change without prior notice