

Battery powered Portable RADIANT BAR



Radiant Bar

BR4000



Handheld and Autonomous

Lithium-ion battery technology

Simulation of hot product for Hot Metal Detector
and Infrared Loop Scanner

Introduction

The Radiant Bar **BR4000** is a portable infrared source that can be used to simulate the presence of hot product.

The Lithium-ion battery make it **autonomous**, up to 1 hour in continuous. No cord and plug.

The potentiometer allows simulation of different level of infrared signal to simulate different product's temperature.

The front panel display gives the current level of battery.

A protection by fuse is designed on one side (please insert fuse before the first use, and remove fuse before any transportation).

Applications

Placed on the roll table, the Radiant Bar **BR4000** enables to test, precisely align and setup the sensors and to determine the boundaries of their field of view. It's useful with Hot Metal Detector (HMD type Rota-Sonde DC or Stato-Sonde Z) or Infrared Loop Scanner (type Rota-Sonde TS).

Lt 3006

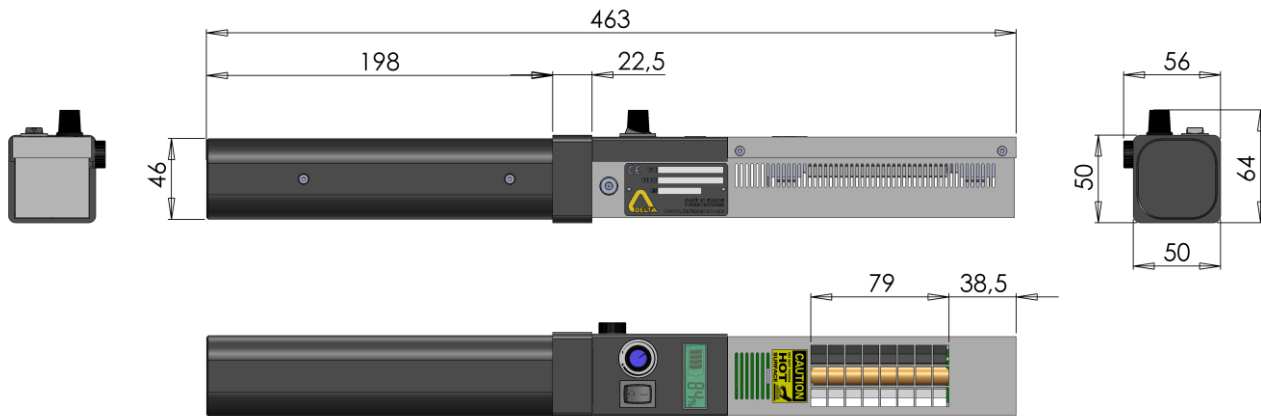


Technical characteristics

Max / Min output power	50 W / 10 W
Capacity	1 hour
Battery pack	Lithium-ion 33.3 V Nominal capacity: 2.9 Ah
Charging unit	Input 100-240 VAC 50/60 Hz, output 37.8 VDC 2.0 A
Operating & Storage temperature	0°C to 50°C (32°F to 122 °F)
Weight	BR4000: 1.2 kg / Charger: 0.4 kg
Protection fuse	T 6.3 A 250 VAC 5 x 20 mm
Emission length	70 mm

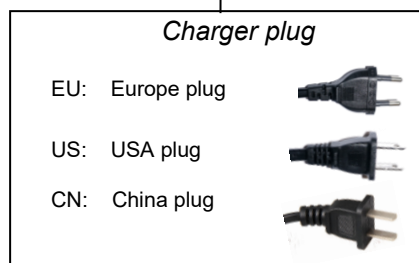
Notes: - One charger is included in the delivery of the **BR4000**. Please select the type of plug, see reference for order.
- Delivery: maximum 2 units per shipment.

Dimensions



Reference for order

BR4000 - ●●



Example: **BR4000-US**: radiant bar BR4000 with US plug for the charger.

DELTA SAS

Tel: +33 388 78 21 01 - info@deltasensor.eu - www.deltasensor.eu

DELTA SENSOR (CHANGZHOU) Co., Ltd. (China)

Tel: +86 519 8188 2500 - info@deltasensor.com.cn

DELTA Vertriebsgesellschaft mbH (Germany)

Tel: +49 6183 91 94 323 - info.de@deltasensor.eu

DELTA SENSOR Pvt. Ltd. (India)

Tel: +91 11 4054 8170 - info@deltasensor.co.in

DELTA USA, Inc. (North America)

Tel: +1 (412) 429 3574 - info@delta-usa.com

DELTA USA INC. (North America)

CARNEGIE OFFICE PARC - BUILDING 2, SUITE 180
600 NORTH BELL AVENUE, CARNEGIE, PA 15160

Tel: (412) 429 3574 Fax: (412) 429 3348
info@delta-usa.com www.delta-usa.com

Subject to change without prior notice

Lt 3006 **2**