

# Inductive Proximity Switches

## IH



**High operating ambient temperature up to 180 °C / 355 °F**

The IH sensors are non-contact inductive proximity switches. They are rugged sensors that detect the presence of metal.

### Features

- Operating ambient temperature up to 180 °C / 355 °F
- Stainless steel housing
- 3 wires, 10 to 35 V DC
- Flush and non flush mounting version
- LED option
- Waterproof (IP67)

### Typical applications

The IH sensors proximity switches are suitable as non-contact sensors for controlling and monitoring positions in automated processes and machines. They are ideally suited for extreme environmental conditions with high ambient temperature.

### Technical characteristics

Reference	IH12-03F-...	IH12-04NF-...	IH18-05F-...	IH18-08NF-...	IH30-10F-...	IH30-15NF-...
Mounting	Flush	Non-flush in metal	Flush	Non-flush in metal	Flush	Non-flush in metal
Housing type	M12		M18		M30	
Nominal Switching Distance Sn*	3 mm	4 mm	5 mm	8 mm	10 mm	15 mm
Max. commutation frequency	500 Hz	200 Hz	200 Hz	150 Hz	100 Hz	50 Hz

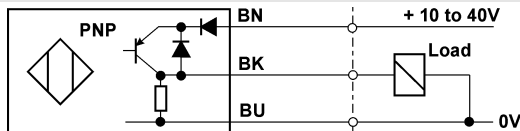
\* : The nominal switching distance Sn is a theoretical value corresponding to the detection of a standard target in mild steel with axial approach. The switching point can be between 0.81 to 1.21 of Sn. To have a reliable detection it is recommended to keep the operating distance at 0.81 of Sn. If the target is made of a material other than mild steel, the switching distance will be reduced.



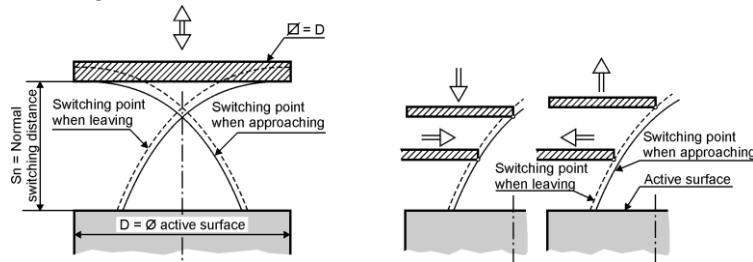
Reference	IH12-...-PO	IH12-...-POL	IH18-...-PO	IH18-...-POL	IH30-...-PO	IH30-...-POL
Housing type	M12		M18		M30	
Indicator	-	LED	-	LED	-	LED
Working temperature	-10°F to +300°F	-10°F to 265°F	-40°F to 355°F	-40°F to 265°F	-40°F to 355°F	-40°F to +265°F
Output current	80 mA		150 mA			
Short circuit protection	Yes *					
Connection , Voltage	3 wires, 10 to 40 V DC					
Output	PNP- Normally Open					
Voltage drop	2V					
Cable	2 m cable, 3 x 0.34 mm <sup>2</sup> - Teflon					
Repeatability	< 5% of nominal switching distance					
Temperature drift	< 10% of nominal switching distance					
Switching hysteresis	1 to 15 % (5% typ) of nominal switching distance					
Protection	IP67					
Weight	0.200 kg					

\* : in case of short circuit the LED will not operate.

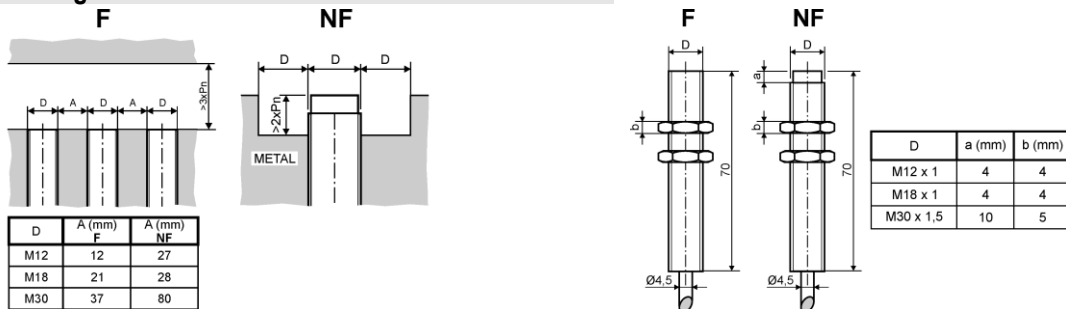
### Connection



### Switching distance



### Mounting and Dimensions



F: flush mounting version, NF: non flush in metal mounting version

#### DELTA SAS

Tel: +33 388 78 21 01 - info@deltasensor.eu - www.deltasensor.eu

#### DELTA SENSOR (CHANGZHOU) Co., Ltd. (China)

Tel: +86 519 8188 2500 - info@deltasensor.com.cn

#### DELTA Vertriebsgesellschaft mbH (Germany)

Tel: +49 6183 91 94 323 - info.de@deltasensor.eu

#### DELTA SENSOR Pvt. Ltd. (India)

Tel: +91 11 4054 8170 - info@deltasensor.co.in

#### DELTA USA, Inc. (North America)

Tel: +1 (412) 429 3574 - info@delta-usa.com

#### DELTA USA INC. (North America)

CARNEGIE OFFICE PARC - BUILDING 2, SUITE 180  
600 NORTH BELL AVENUE, CARNEGIE, PA 15160

Tel: (412) 429 3574 Fax: (412) 429 3348  
info@delta-usa.com www.delta-usa.com

Subject to change without prior notice

Lt 2530 2