

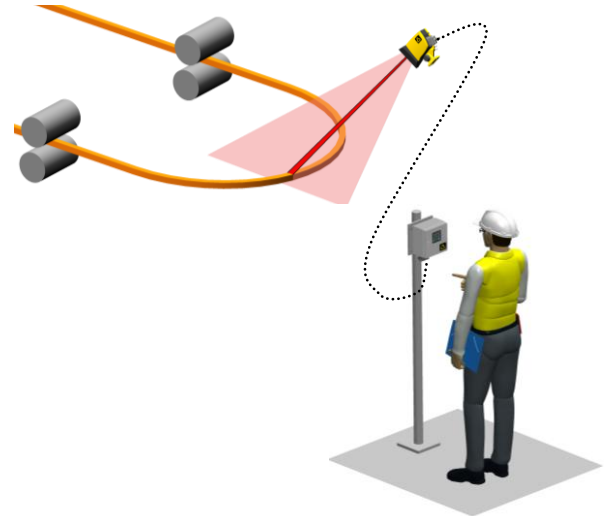


Junction Box for Remote Setup and Diagnostic CR5500TS

Presentation

When the infrared loop scanner Rota-Sonde TS5500 is not easy to access, the junction box CR5500TS permits the user to setup the sensor remotely, especially on horizontal loops. It offers the possibility to switch ON/OFF the laser for checking alignment of the sensor, to adjust sensitivity and to activate a test.

The window on the front door (models CR550• TS) enables the user to see live signal from photocell, threshold setup, configuration selected, voltage analogue output, and to check status of sensor (detection, control, alarm, active sensitivity range).



Technical characteristics

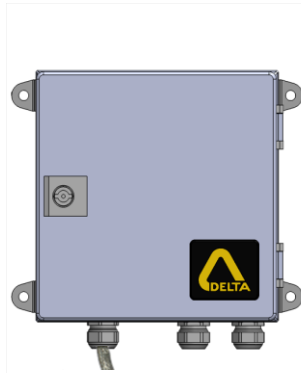
Model	CR5511TS L=•	CR5501TS L=•	CR5512TS L=•	CR5502TS L=•
Control module	No (1)	Yes	No (1)	Yes
Connection type	Cable prewired. Cable length to specify in reference		Female connector on the junction box. Cable length to specify in reference	
Power supply	220 V (-10%) to 240 V (+10%) – 50/60 Hz or 110 V (-10%) to 120 V (+10%) – 50/60 Hz or 24 VDC (18 to 30 VDC)			
Operating Temp.	-20°C to 60°C (-4°F to 140°F)			
Protection rating	IP66			
Weight	3.0 kg to 4.2 kg (depending on cable length)			

(1) The Control Module can be ordered separately, to make remote setup and diagnostic of Rota-Sonde TS5500. It can be integrated in another junction box or in electrical panel. Reference: **7640218** (115/230 VAC) or **7640219** (24VDC).





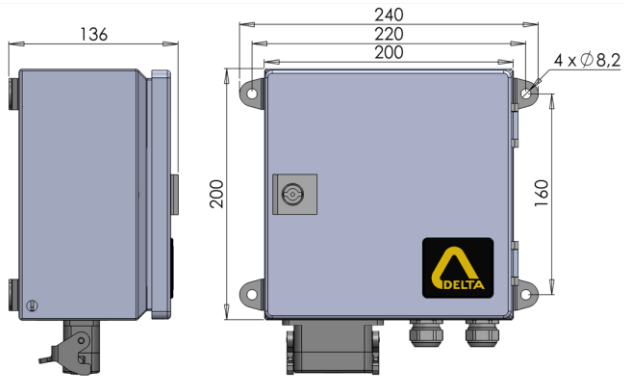
Dimensions of the junction box



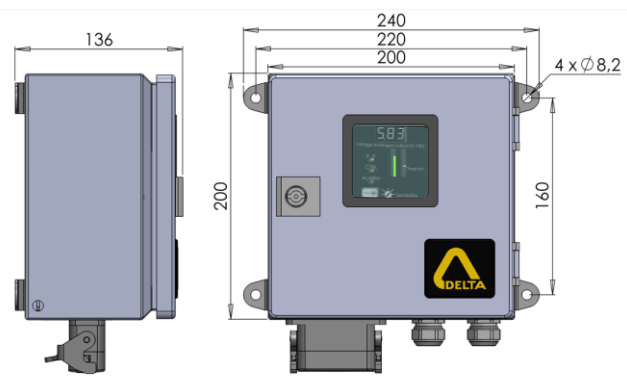
CR5511TS



CR5501TS



CR5512TS



CR5502TS

Reference for order

CR 5 5 • • TS • • • L = •

<i>Equipment</i>	<i>Connection</i>	<i>Supply voltage</i>	<i>Cable length</i>
0: with control module 1: without control module	1: prewired cable 2: female connector	115V 230V 24VDC	2: 2 m 3: 3 m 5: 5 m 8: 8 m

Example: **CR5501TS 230V L=2**, junction box for Rota-Sonde TS5500 with control module, prewired cable inside, power supply 230 VAC, cable length 2m.

Note: when the Rota-Sonde TS5500 is connected to a junction box, the sensor should be ordered without cable (reference TS55•0-•• L=0).

DELTA SAS
Tel: +33 388 78 21 01 - info@deltasensor.eu - www.deltasensor.eu

DELTA SENSOR (CHANGZHOU) Co., Ltd. (China)
Tel: +86 519 8188 2500 - info@deltasensor.com.cn

DELTA Vertriebsgesellschaft mbH (Germany)
Tel: +49 6183 91 94 323 - info.de@deltasensor.eu

DELTA SENSOR Pvt. Ltd. (India)
Tel: +91 11 4054 8170 - info@deltasensor.co.in

DELTA USA, Inc. (North America)
Tel: +1 (412) 429 3574 - info@delta-usa.com

DELTA USA INC. (North America)

CARNEGIE OFFICE PARC - BUILDING 2, SUITE 180
600 NORTH BELL AVENUE, CARNEGIE, PA 15160

Tel: (412) 429 3574 Fax: (412) 429 3348
info@delta-usa.com www.delta-usa.com

Subject to change without prior notice

Lt 3504 **2**