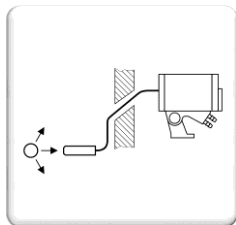


Stato-Sonde

Z66



Smart display for easy & remote setup

High temperature optic

Metallic sheath to protect the fiber

Stainless steel components

Lt 4186



Presentation and operating principle

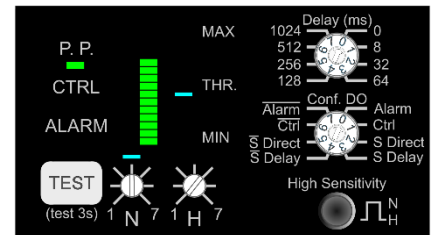
The **Stato-Sonde Z66**, a Hot Metal Detector with 2 sensitivity ranges, can detect material at temperatures over 300 °C (580 °F). Thanks to its optical fiber, it is able to detect products even in areas with high ambient temperature or in difficult areas due to physical obstructions, limited space, steam etc... Its rugged design enables the Stato-Sonde Z66 to withstand the very severe environmental conditions of the steel industry or rolling mills or continuous casting machines.

The infrared radiation emitted by the hot product is collected by the optic, transmitted through the optical fiber and sent to the photosensitive element. The signal is processed by the electronic circuit which outputs the detection signal.

Features

The Stato-Sonde Z66 is composed of three major elements:

- **Sensor head**
 - 3 different detection angles: **4°** or **12°** or **Spot** 10 mm at 0.5 m (very small precise detection point).
 - standard optic type **N** or optic with water cooling type **C** or optic with water cooling and air purging and additional hood/glass type **CA**.
- **Optical fiber:**
 - Fiber optic bundle with flexible stainless-steel protection, length from 2 to 25 m
 - Available with additional protective sheath. Air can be supplied at the electronic unit. The air flow through the sheath and optics keeps the optical fiber and lens assembly at lower temperature.
- **Electronic Sensor Control Unit**
 - 2 sensitivity range, Normal & High, with adjustment potentiometer for each. Range N to avoid false detection in case of hot background.
 - Smart display with multicolor LED indicator (Product Presence, low detection margin, alarm), bargraph for level of signal, threshold setup.
 - Multiple output selection / configuration delay.
 - 2 inputs: Sensitivity range selection and Test function.



Specifications of Optic

Optic	Z66/••/S•	Z66/••/4•	Z66/••/12•
Detection field			
Operating temperature	-20 °C to 250 °C (0 °F to 480 °F) up to 400 °C (752 °F) with fiber with metallic sheath type G, air purging 40 l/min at 1 bar up to 500 °C (930 °F) with water-cooling, water at about 25 °C (77 °F), 1-2 bar and 1-2 l/min		
Air purging with G fiber	About 40 l/min @ 1 bar (1,5scfm @ 14 psi), instrument air (clean, dry, no oil) or nitrogen		
Air purging with F fiber	About 10 l/min @ 0.1 bar (0,3scfm @ 2psi), instrument air (clean, dry, no oil) or nitrogen		

Detection temperature (1) °C [°F]	% (2)	Fiber Length (Z66/••/••)						
		2 m	3 m	5 m	9 m	12 m	15 m	25 m
Angle 4° and 12°	100%	300 [580]	310 [590]	320 [610]	340 [640]	350 [660]	360 [680]	370 [700]
	20%	360 [680]	370 [690]	380 [720]	400 [760]	420 [780]	430 [810]	440 [830]
	5%	420 [790]	430 [810]	440 [830]	470 [880]	490 [910]	500 [940]	520 [970]
Spot	100%	430 [800]	440 [820]	450 [850]	480 [900]	500 [930]	510 [950]	530 [990]
	20%	520 [960]	530 [980]	550 [1010]	580 [1080]	600 [1110]	620 [1150]	640 [1190]
	5%	610 [1120]	620 [1150]	640 [1190]	680 [1260]	710 [1310]	730 [1350]	760 [1400]

(1): Sensitivity range H (high), sensitivity at position 7 (max) and product emissivity > 0.9

(2): Percentage of field of view filled by hot product

For sensitivity range N (normal), increase these values of temperature by around 100°C [580°F].

Fiber	Z66/•F/••	Z66/•G/••
Type	Fiber alone	Fiber + stainless steel sheath protection–Air conduit
Diameter	10 mm	22 mm
Length	2, 3, 5, 9, 12, 15, 25 m	

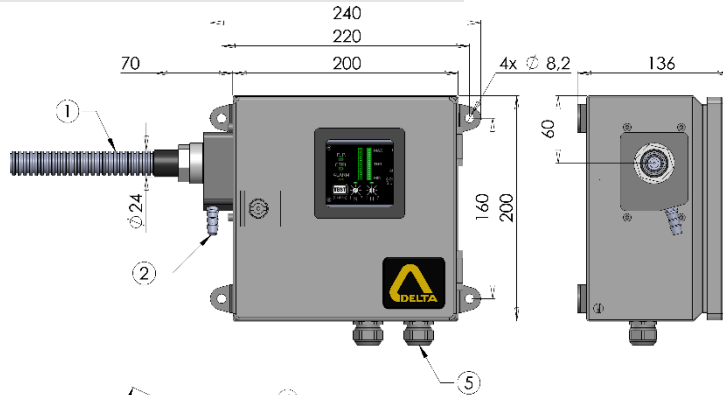


Specifications of Electronic Unit

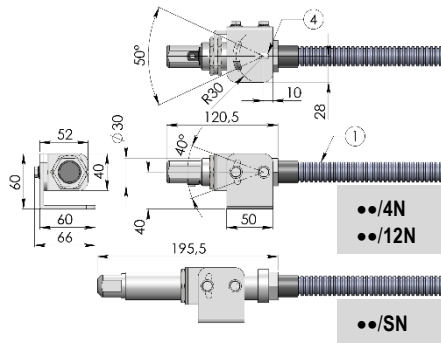
Spectral response	1.0 to 1.7 μm
Response time	< 50 μsec , on or off
3 x Digital outputs 0/24V	Push-pull outputs, low impedance: 50 mA max. short circuit protection - CONF DO, configurable to: Product presence, De-bounce delay, Ctrl (low detection margin) - S DELAY: Product presence with de-bounce delay at turn off. Selectable from 0 msec to 1 sec - ALARM: Temperature, supply voltage
Relay Detection output	Single pole Normally open; Switching capacity: 550 VA, 250V, 5A max
Static Relay Detection output	2 optocoupled complementary solid state relay; Switching capacity: +/-100 mA peak, +/-350V peak, 50 Ω
2 x Digital Inputs 0/24V	Test Selection H/N: set the high sensitivity range
Analog Output	Signal amplitude 0-15V (proportional to photocell signal)
Electrical Power	115 V (-15%) to 230 V (+10%), 50/60 Hz, 10 VA 24 VDC (10 to 30 VDC), 10 W
Operating temperature	Sensor Control Unit: -10 °C to 60 °C (14 °F to 140 °F)
Protecting rating	IP66 (stainless steel case)
Weight	From 5 kg (Z66/2F/●N) to 6 kg (Z66/2G/●CA) – add 0.5 kg/m for F fiber and 1 kg/m for G fiber

Dimensions

Z66 Control Unit

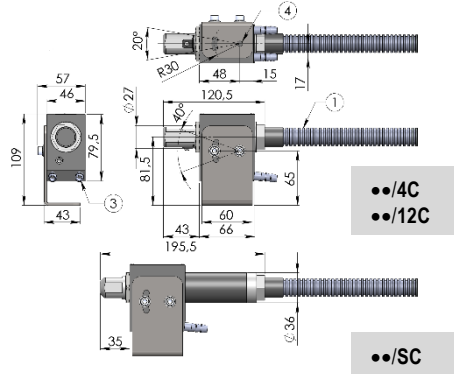


Z66 /●●/●N

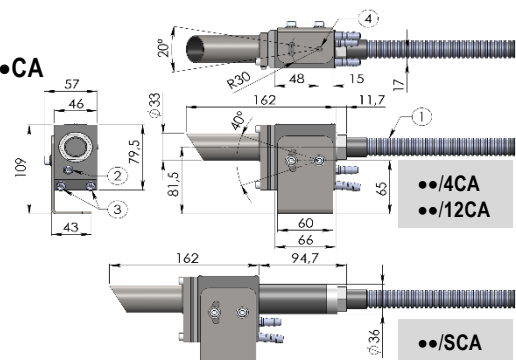


- ① Minimum radius of optical fiber :
- for Z66/●F/●● : 80 mm
- for Z66/●G/●● : 180 mm
- ② Air Supply \varnothing 10
- ③ Water Supplies \varnothing 10
- ④ Mounting with 2 screws M6
- ⑤ PG13.5 cable glands (2), for cable with \varnothing 5-12 mm

Z66 /●●/●C

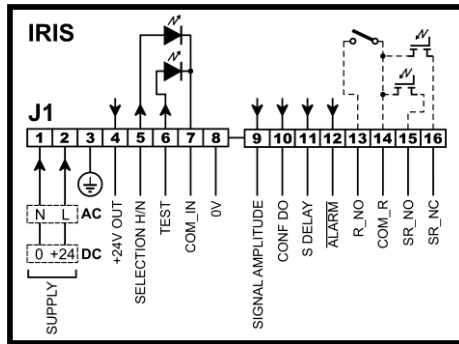


Z66 /●●/●CA



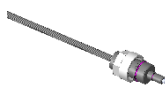


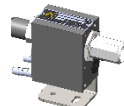
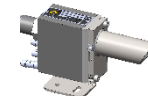


Connection



Reference for order

Stato-Sonde Z66 / ●● / ●● ●●●

Fiber Length	Fiber protection	Detection angle	Optic	Power input
2 2 m 3 3 m 5 5 m 9 9 m 12 12 m 15 15 m 25 25 m	F Fiber alone 	S Spot 4 4° 12 12°	N Standard 	115-230 VAC
	G Fiber with stainless steel sheath protection and air conduit 		C Water cooling 	
			CA Water cooling + air + hood/glass 	24 VDC

Example: Z66/5G/4CA 115-230V: Z66 with optical fibre length 5 m protected in metallic sheath, optic 4° in water cooling unit with air and additional hood/glass, power supply 115-230 VAC.

Accessories

- Battery powered radiant Bar **BR4000**



DELTA SAS
 Tel : +33 388 78 21 01 - info@deltasensor.eu - www.deltasensor.eu
DELTA SENSOR (CHANGZHOU) Co., Ltd. (China)
 Tel: +86 519 8188 2500 - info@deltasensor.com.cn
DELTA Vertriebsgesellschaft mbH (Germany)
 Tel: +49 6183 91 94 323 - info.de@deltasensor.eu
DELTA SENSOR Pvt. Ltd. (India)
 Tel: +91 11 4054 8170 - info@deltasensor.co.in
DELTA USA, Inc. (North America)
 Tel: +1 (412) 429 3574 - info@delta-usa.com

DELTA USA INC. (North America)

CARNEGIE OFFICE PARC - BUILDING 2, SUITE 180
 600 NORTH BELL AVENUE, CARNEGIE, PA 15106

Tel: (412) 429 3574 Fax: (412) 429 3348
 info@delta-usa.com www.delta-usa.com

Subject to change without prior notice – non contractual pictures