

# Junction Box for Remote Setup and Diagnostic

## CR4500DC



### Presentation

When the **Rota-Sonde DC4500** is not easy to access, the junction box **CR4500DC** permits the user to setup the sensor remotely. It offers the same possibility and interface as if user is behind the HMD itself, for example to switch ON/OFF laser for checking alignment of the sensor.

The window on the front door allows users to see directly live signal from photocell, threshold setup and to check status of sensor (detection, control, alarm, active sensitivity range).

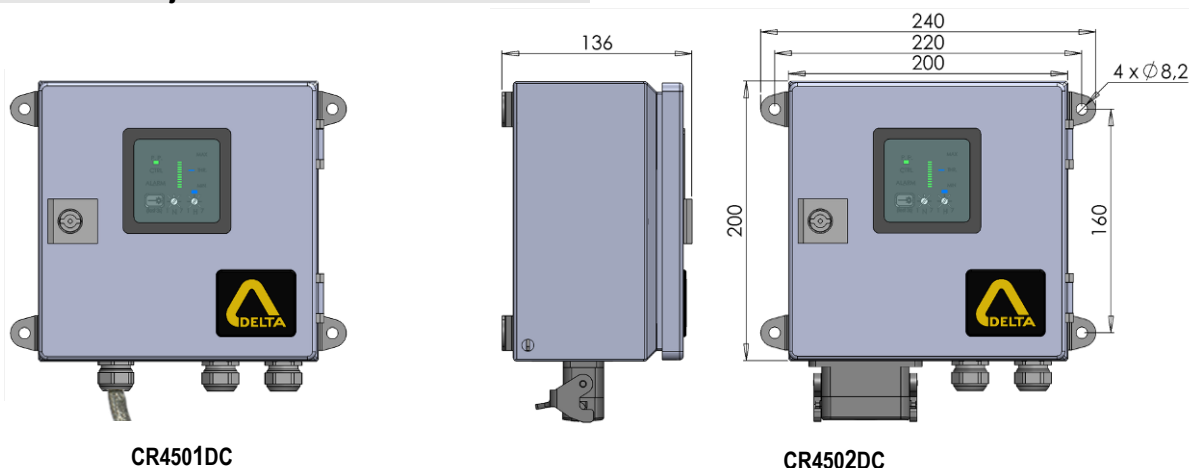


### Technical characteristics

Model	CR4501DC L=●	CR4502DC
Connection type	 <p>Cable prewired. Length should be specified in the reference (L=●).</p>	 <p>Female connector on the junction box. The cable with male and female connector needs to be ordered separately.</p>
Power supply	220 V (-10%) to 240 V (+10%) – 50/60 Hz or 110 V (-10%) to 120 V (+10%) – 50/60 Hz or 24 VDC (18 to 30 VDC)	
Protection rating	IP66	
Weight	3.0 kg to 4.2 kg (depending on cable length)	3.0 kg (without cable)



## Dimensions of the junction box



## Reference for order

- Prewired cable

**CR 4 5 0 1 DC** ●●●● L = ●

Supply voltage
115V
230V
24VDC

Cable length
2: 2 m
3: 3 m
5: 5 m
8: 8 m

Example: CR4501DC 230V L=2

- Female connector on the junction box

**CR 4 5 0 2 DC** ●●●●

Supply voltage
115V
230V
24VDC

**Cable for CR4502DC (to be ordered separately)**

Cable reference (length)
7140185: 2 m
7140193: 3 m
7140280: 5 m
7140283: 8 m



Example: CR4502DC 230V

Example: cable 7140185

**Note:** when the Rota-Sonde DC4500 is connected to a junction box, the sensor should be ordered without cable (reference DC45●0-●● L=0).

### DELTA

Tel : +33 388 78 21 01 - Fax : +33 388 76 02 29  
info@deltasensor.eu - www.deltasensor.eu

### DELTA Sensor (China)

Tel: +86 519 8188 2500 - Fax: +86 519-8188 2400 - info@deltasensor.com.cn

### DELTA Vertriebsgesellschaft mbH (Germany)

Tel: +49 700 3358 2736 - Fax: +49 700 3358 2835 - info.de@deltasensor.eu

### DELTA Sensor (India)

Tel: +91 11 4054 8170 - Fax: +91 11 4054 8172 - info@deltasensor.co.in

### DELTA USA, Inc. (North America)

Tel: +1 (412) 429 3574 - Fax: +1 (412) 429 3348 - info@delta-usa.com

### DELTA Sensor (Russia)

Tel: +7 916 682 6027 - info.ru@deltasensor.eu

### DELTA USA INC. (North America)

CARNEGIE OFFICE PARC - BUILDING 2, SUITE 180  
600 NORTH BELL AVENUE, CARNEGIE, PA 15160

Tel: (412) 429 3574 Fax: (412) 429 3348  
info@delta-usa.com www.delta-usa.com

Subject to change without prior notice

Lt 3504 **2**