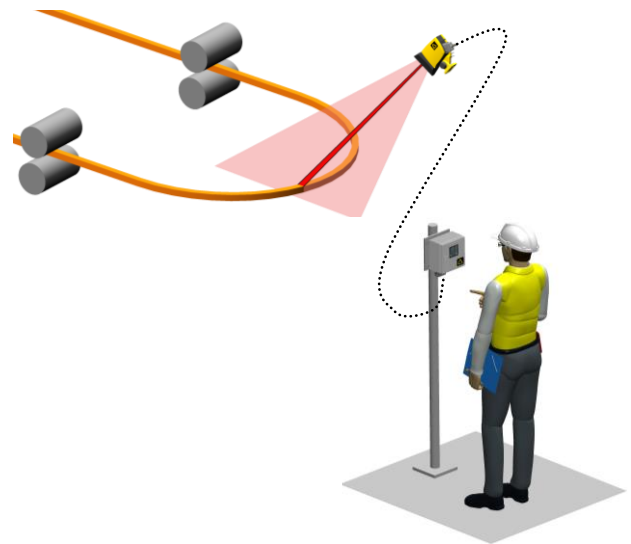


Junction Box for Remote Setup and Diagnostic **CR5500TS**



Presentation

When the infrared loop scanner Rota-Sonde TS5500 is not easy to access, the junction box **CR5500TS** permits the user to setup the sensor remotely, especially on horizontal loops. It offers the possibility to switch ON/OFF laser for checking alignment of the sensor, to adjust sensitivity and to activate a test.

The window on the front door enables user to see live signal from photocell, threshold setup, configuration selected, voltage analogue output, and to check status of sensor (detection, control, alarm, active sensitivity range).



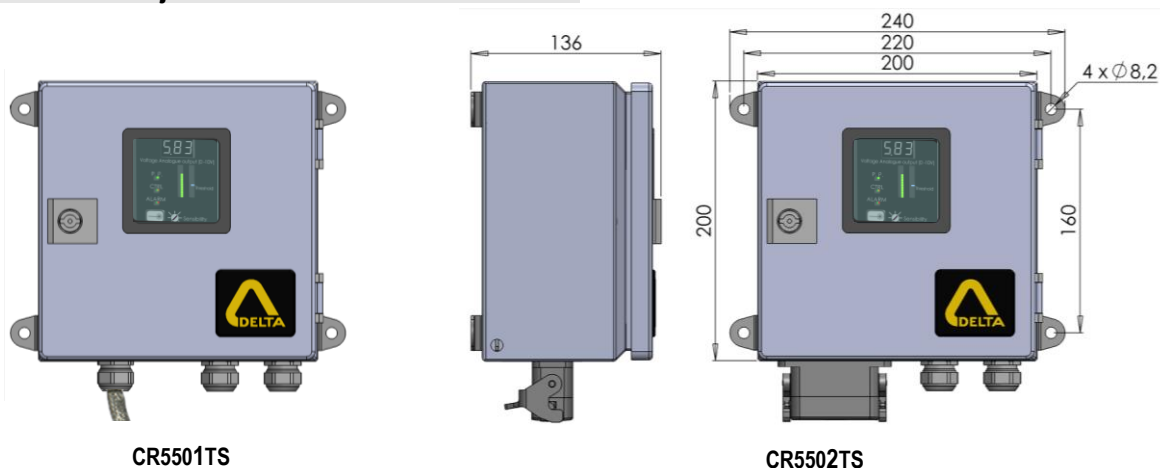
Technical characteristics

Model	CR5501TS L=●	CR5502TS
Connection type	 <p>Cable prewired. Length should be specified in the reference (L=●).</p>	 <p>Female connector on the junction box. The cable with male and female connector needs to be ordered separately.</p>
Display	Voltmeter 0-10 V to display analogue output	
Power supply	220 V (-10%) to 240 V (+10%) – 50/60 Hz or 110 V (-10%) to 120 V (+10%) – 50/60 Hz or 24 VDC (18 to 30 VDC)	
Protection rating	IP66	
Weight	3.0 kg to 4.2 kg (depending on cable length)	3.0 kg (without cable)

Lt 3504



Dimensions of the junction box



CR5501TS

CR5502TS

Reference for order

- Prewired cable

CR 5 5 0 1 TS ●●● L = ●

Supply voltage
115V
230V
24VDC

Cable length
2: 2 m
3: 3 m
5: 5 m
8: 8 m

Example: CR5501TS 230V L=2



Note: 5.1 V on voltmeter corresponds to 5.1 V on analogue output and also 51% on sensor's display.

- Female connector on the junction box

CR 5 5 0 2 TS ●●●

Supply voltage
115V
230V
24VDC

Cable for CR5502TS (to be ordered separately)

Cable reference (length)
7140185: 2 m
7140193: 3 m
7140280: 5 m
7140283: 8 m



Example: CR5502TS 24VDC

Example: cable 7140185

Note: when the Rota-Sonde TS5500 is connected to a junction box, the sensor should be ordered without cable (reference TS55●0-●● L=0).

DELTA

Tel : +33 388 78 21 01 - Fax : +33 388 76 02 29
info@deltasensor.eu - www.deltasensor.eu

DELTA Sensor (China)

Tel : +86 519 8188 2500 - Fax: +86 519-8188 2400 - info@deltasensor.com.cn

DELTA Vertriebsgesellschaft mbH (Germany)

Tel : +49 700 3358 2736 - Fax: +49 700 3358 2835 - info.de@deltasensor.eu

DELTA Sensor (India)

Tel : +91 11 4054 8170 - Fax: +91 11 4054 8172 - info@deltasensor.co.in

DELTA USA, Inc. (North America)

Tel : +1 (412) 429 3574 - Fax: +1 (412) 429 3348 - info@delta-usa.com

DELTA Sensor (Russia)

Tel : +7 916 682 6027 - info.ru@deltasensor.eu

DELTA USA INC. (North America)

CARNEGIE OFFICE PARC - BUILDING 2, SUITE 180
600 NORTH BELL AVENUE, CARNEGIE, PA 15160

Tel: (412) 429 3574 Fax: (412) 429 3348
info@delta-usa.com www.delta-usa.com

Subject to change without prior notice

Lt 3504 **2**